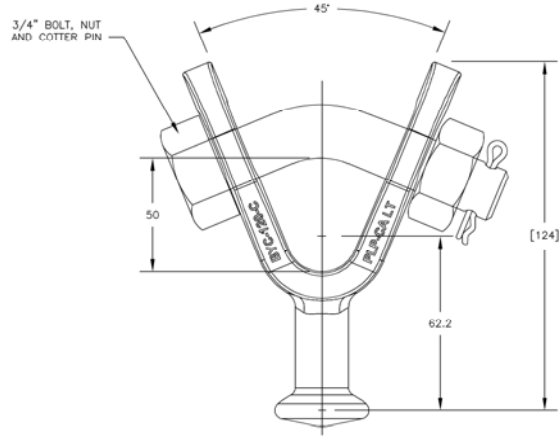




Transmission

Ball Y-Clevis



Ball Y-Clevis fittings are used to attach ball and socket insulators to associated hardware within an insulator string. The bent bolt on the Y section allows for additional articulation within the assembly. All Ball Y- Clevis fittings are tested to meet cold temperature applications of 20 Jules at minus 20C

Body: Forged Galvanized Steel

Bent bolt: Galvanized Steel

Cotter Pin: Stainless Steel

Catalogue Number	Insulator Class	Strength Pounds	Standard Package
BYC-120C	52-3 and 52-5	27,000	25