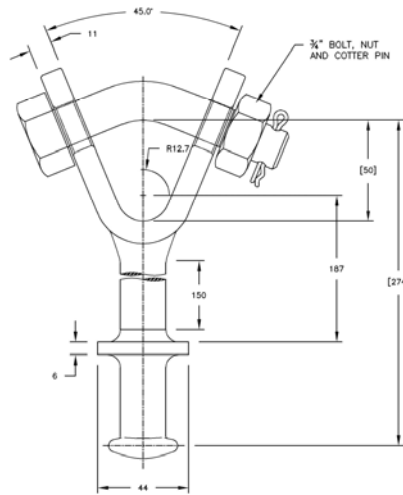




Transmission

Hot Line Ball -Y Clevis



Hot line Ball -Y Clevises are used to attach ball and socket insulators to other associated hardware within an insulator string. Shoulders are provided to accommodate hot line tools and the bent bolt in the Y-section provides an additional point of articulation within an assembly. All Ball-Y Clevises are tested to meet cold temperature applications of 20 Jules at minus 20C

Body: Forged Galvanized Steel

Bolt: Galvanized Steel

Cotter Pin: Stainless Steel

Catalogue Number	Insulator Class	Strength	
		KN	Pounds
HLBYC-120-C	52-3 and 52-5	120	27,000
HLBYC-222-C	52-8 and 52-11	222	57,000