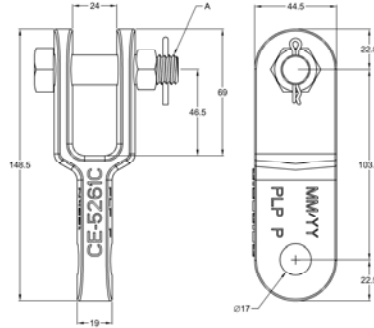




Transmission

Clevis Eye / Clevis Tongue



Preformed Line Products Clevis Eyes are used to attach clamps to yoke plates and Clevis tongue Insulators. All Clevis Eye fittings are tested to CSA C83 specifications for cold temperature application at 20 Jules at minus 20C

Body: Forged Galvanized Steel
 Bolt Galvanized Steel
 Cotter Pin: Stainless Steel

Catalogue Number	Strength KN	Rating LBS	Bolt Diameter	Standard Package
CE-5261C	133	30,000	5/8"	25