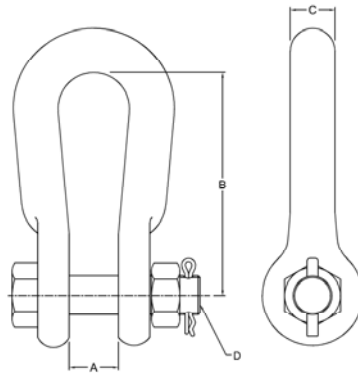




Transmission

Shackle Chain



Chain shackles are all tested to meet CSA C83 specifications for cold temperature applications at 20 Jules at minus 20C

Body: Forged Galvanized Steel
 Bolt: Galvanized Steel
 Cotter Pin: Stainless Steel

Catalogue Number	Dimensions				Strength		Standard Package
	A	B	C	D	(KN)	LB	
AS-15KC	22	65	20	5/8"	(70)	15,000	25
AS-25KC	22	65	20	3/4"	(111)	25,000	25
AS-25KC100	22	100	20	3/4"	(111)	25,000	25