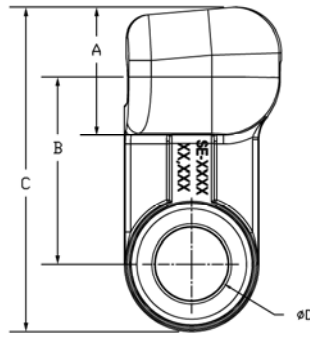
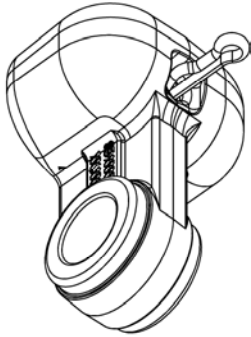
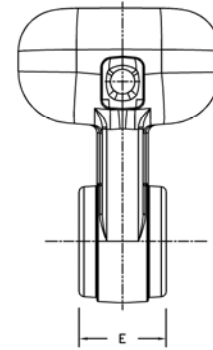




Fitting



Socket Eye



Preformed Line Products Socket Eyes are designed to use with Suspension and Dead End Clamps. All Socket Eyes are designed to meet the requirements for cold temperature applications and are tested to CSA C83 specifications for Charpy impact at 20 Jules at minus 20C.

Body: Forged Galvanized Steel
Cotter Pin: Stainless Steel

Catalogue Number	A Dim		B Dim		C Dim		D Dim		E Dim		Insulator class	Min Rated Strength	
	In.	mm	In	mm	In	mm	In	mm	In	mm		LBS	KN
SE-5150C	1.42	36	2.37	60	3.6	91.44	0.69	17.4	0.53	13.487	52.3&5	30,000	133
SE-5152C	1.42	36	2.37	60	3.6	91.44	0.69	17.4	0.75	19.05	52.3&5	30,000	133
SE-5154C	1.42	36	2.37	60	3.6	91.44	0.69	17.4	1.06	27.002	52.3&5	30,000	133
SE-5154C-75	1.42	36	2.37	60	3.6	91.44	0.81	20.7	1.06	27.002	52.3&5	30,000	133
SE-5155C	1.42	36	2.37	60	3.6	91.44	0.69	17.4	2.13	53.975	52.3&5	30,000	133